



SMC

Communications Solutions
www.smc-comms.com

TPM Lightweight Push Up Mast

The SMC push up mast is a lightweight version of the Hilomast. It has been designed so that it can be used as either a hand operated push up mast or pneumatically assisted mast. Deployment of the pneumatic version can be carried out by either using a footpump, or one of the SMC range of compressors.

- 8, 10 & 12 metres available
- Pneumatically dampened
- Hand or Footpump for Pneumatic operation



Mast	Retracted Height	Extended Height	Vertical Headload	Maximum Wind Speed Unguyed	Maximum Wind Speed c/w Top Guys	R1* (fig.1)
	Metres	Metres	Kgs	Km/h	Km/h	Metres
TPM8	1.47	8	10	75	120	4
TPM10	1.75	10	8.50	65	100	5
TPM12	2.02	12	7	55	85	6

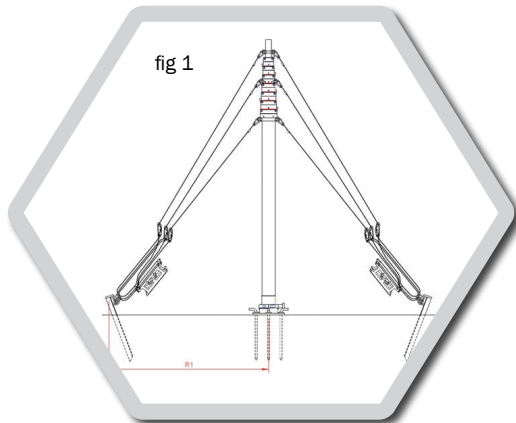
*For R1 please refer to fig.1

The wind speeds shown are based on the following side surface area: 1000 sq.cm

All dimensions are approximate.

There are several mounting arrangements available for the installation of masts. They can be mounted either internally or externally to a vehicle or building. For erecting masts on open ground, base guy assemblies are available, which are best suited for green-field mounting. A rapid deployment unit (RDU) is available for all sizes of TPM masts, which can be held under the wheel of a vehicle.

Guying Distance



Options and Accessories

Type	TPM 8	TPM 10	TPM 12
Side Mounting	NSM/74	NSM/74	NSM/74
Base Guy Assy	NBG/TPM-8	NBG/TPM-10	NBG/TPM-12
Pivot Mount Guy Assy w/Stakes	NBG/TPM/PMB	NBG/TPM/PMB	NBG/TPM/PMB
RDU	RDU/TPM-8	RDU/TPM-10	RDU/TPM-12
Top Guy w/Stakes	NUG/TPM/8	NUG/TPM/10	NUG/TPM/12
Military Style Push Up w/Spigot	TPM8/16	TPM10/16	TPM12/16
Military Style Pneumatic w/Spigot	TPM8/PN/16	TPM10/PN/16	TPM12/PN/16
Foot Pump	NFP1	NFP1	NFP1
Air Supply	NC1	NC1	NC1

All dimensions are approximate.

New >>> Hand Pump



New Hand-pump, with integral valve and mast fixing brackets. NHP1



NC1



NFP1



South Midlands Communications Ltd. SM House, School Close,
Chandlers Ford, Industrial Estate, Eastleigh, Hampshire, SO53 4BY ENGLAND
Tel: +44 (0)23 8024 6200 - Fax: +44 (0)23 8024 6206 - Email: sales@smc-comms.com